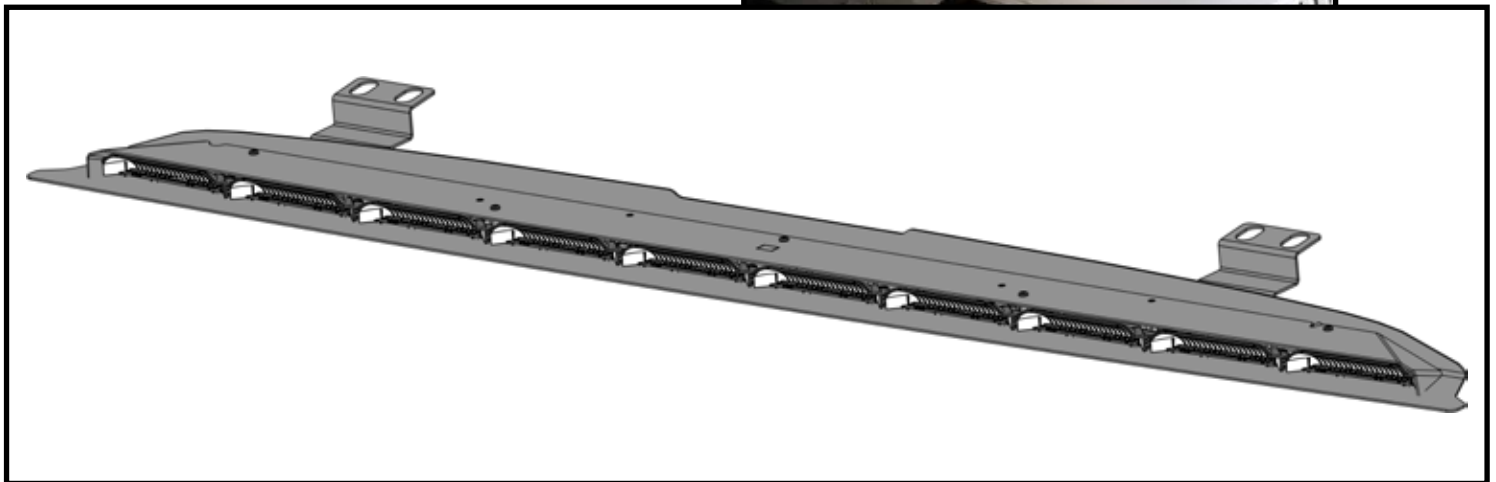


ORV INTERIOR LIGHT BAR

RTL-ENFWB00001 (2018-2021) JEEP WRANGLER JL (W/O CRASH AVOIDANCE)



WARNING

- HIGH CURRENT interconnects must be properly terminated. Poor crimp quality can cause heat build-up and fire. Follow crimp connector manufacturer instructions.
- DO NOT install this product or route any wires in the Air Bag Deployment Zone. Refer to vehicle Owner's Manual for deployment zones.
- Do NOT use system to disconnect headlights, brake lights or other safety equipment.
- Unit may become hot to touch during normal operation.
- Failure to properly install connectors, fuses or wiring may cause vehicle failure or fire.
- Installer must determine vehicle wiring configuration and proper integration of system.
- Use proper wire gauge. All power wires connecting to positive (+) or negative (-) battery terminal or local chassis ground (-) must be sized to supply at least 125% of max. current and properly fused at power source.
- Install protective grommets when routing wire through firewall or metal.

NOTICE:

Installers and users must comply with all applicable federal, state and local laws regarding use and installation of Lighting Products. Improper use or installation may void warranty coverage.

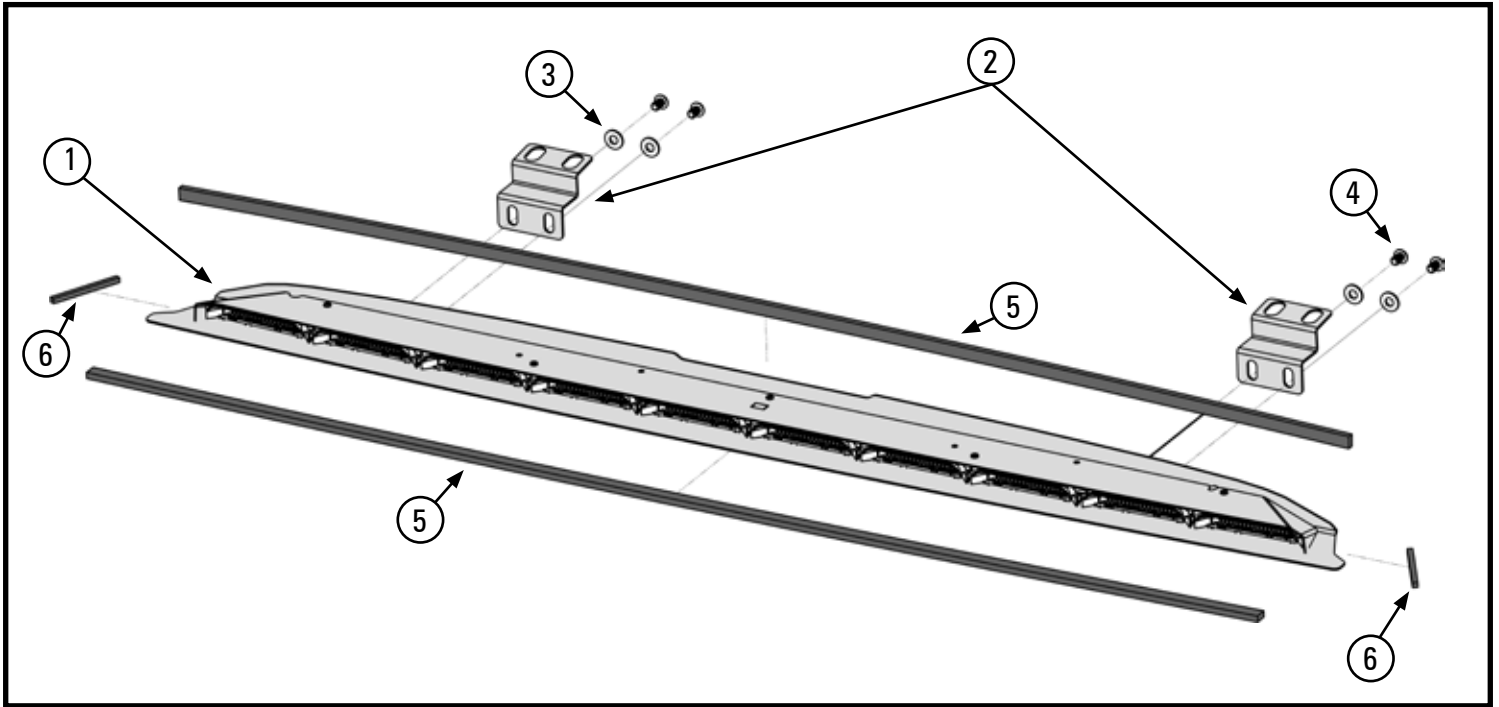
To review the Limited Lifetime Warranty contact your retailer or visit our website at www.mpowerlights.com

Questions or comments should be directed to your retailer.

RTL-ENFWB00001 (18-21)JEEP JL 1021

REQUIRED TOOLS:

- FORKED CLIP / PLASTIC TRIM REMOVAL TOOL
- #2 PHILLIPS HEAD SCREWDRIVER
- SMALL FLAT HEAD SCREWDRIVER
- RATCHET
- 10MM SOCKET AND EXTENSION
- T-40 TORX SOCKET AND EXTENSION
- WIRE CUTTER / SHEARS (FOR CUTTING GASKETS)



CONTENTS

#	QTY	COMPONENT
1	1	JEEP JL FULL LIGHT BAR
2	2	JEEP JL MOUNTING BRACKETS
3	4	5/16 FLAT WASHER
4	4	5/16 - 18 TORX SCREW 1/2" LONG
5	1	TRIM GASKET (THICK)
6	1	TRIM GASKET (THIN)
7	2	ADHESIVE FOAM SEAL
8	3	8" ZIP TIES
9	1	JUMPER POWER HARNESS
10	1	INSTALLATION INSTRUCTION SHEET
11	1	PRODUCT WARNING CARD

POWER SPECIFICATIONS

Input Voltage Range:	10 -16 Vdc			
Light Bar Component	Current Draw		Power Consumption	
Standby Current	Ignition ON	Ignition OFF	Ignition ON	Ignition OFF
	0.010 Amps	0.002Amps	0.13 Watts	0.03 Watts
Running Current	10 Amps		128 Watts	
Wiring	Power Cable 6ft, 14 AWG Wires, (+) Red, (-) Black			

NOTE: MAKE SURE THE WINDSHIELD IS CLEAN IN FRONT OF THE LIGHT BAR BEFORE INSTALLING. AFTER THE INSTALL CLEANING WILL NOT BE POSSIBLE.

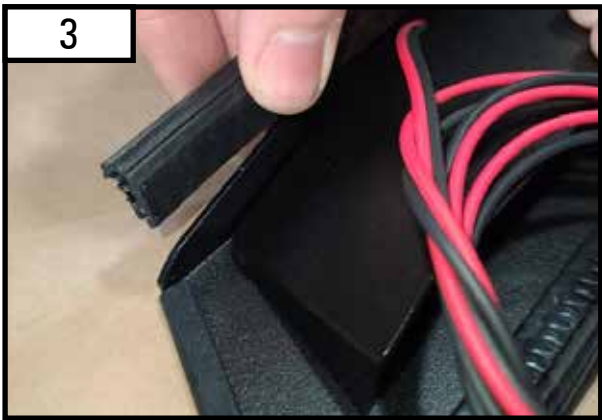
NOTICE:



1
Remove the light bar from the packaging along with the thick gasket from the parts box included in the kit. Once removed, take the thick gasket and install on the front leading edge of the light bar. Start on one end and work your way to the other end of the shroud.



2
After the gasket is installed across the front leading edge of the light bar, take the wire cutter/shears and snip the thick gasket at the end of the light bar. Push the end of the gasket back on the bar.



3
Do the same for the top edge of the light bar. Use the rest of the thick gasket provided and start on one end of the shroud and work your way to the other. Take the wire cutter/shears and snip the excess gasket material.



4
Take the thinner gasket provided in the hardware kit and install on the outer end of the shroud. Take the wire cutter/shears and snip the gasket off. Take the remainder of the gasket and repeat the application for the other side of the shroud.



5
This is what the shroud will look like once all the gaskets are fully installed.

6
Now that the gaskets are installed move on to STEP 7.

NOTE: Install the foam gasket provided in kit for a tighter fit against the windshield, see foam install sheet for reference.



Using a plastic trim removal tool, pry off the center dash control system by starting on the outside and working your way around.



Disconnect the two connectors attached to the center dash control system and then set the unit aside.



Remove the screw using a #2 Phillips head screw driver.



Pry out the window control panel from the top using the plastic trim removal tool and work your way down.



Tilt the window control panel out so you can access the 12v socket connection. Push in the blue tab and pull out the connector.



Connect the white connector of the jumper power harness to the original plug you just disconnected in STEP 11. Connect the grey connector back in to the 12v socket

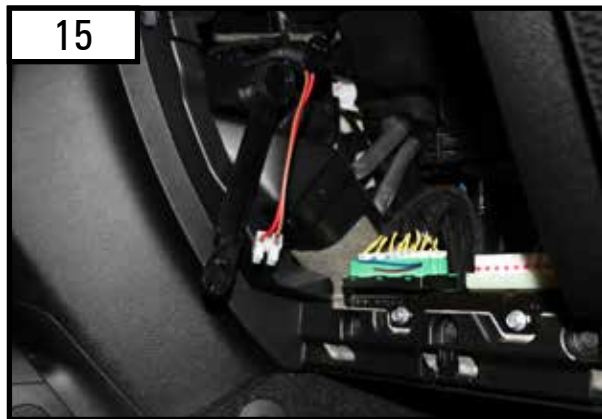
NOTICE:



13
Open up the glove box and disconnect the strut by pulling up and out.



14
The glove box will need to be removed from the vehicle. Pull the back of the glove box towards you and then tilt the glove box down to remove.



15
After the glove box is removed, route the red and brown wires from the jumper power harness to where you removed the glove box.

16

NOTE: Reassemble the window control panel.



17
Use the plastic trim removal tool, to pop off the speaker cover on the passenger side.



18
Using the plastic trim removal tool, pop off the two bolt covers for the A-pillar trim piece



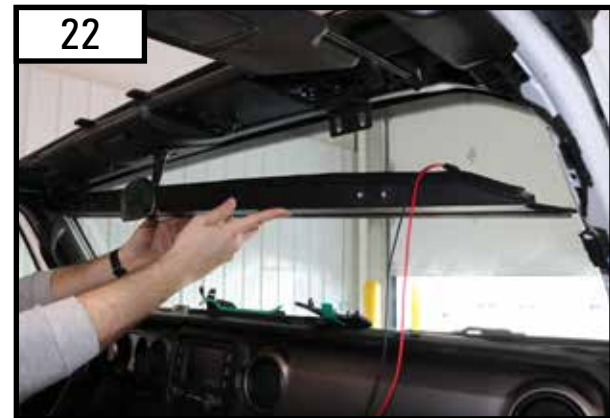
Remove the two bolts with a 10mm socket. Once bolts are removed, pop off the trim panel.



Unlatch and open the soft top or remove the hard top front panels. Remove the felt padding on top of the bolts holding in the bracket.

21

Remove the two bolts per side using a T-40 Torx, pull the bolts out all the way and reinstall with the bracket provided on top very loosely to where you can move the bracket forward to back with ease.



When installing the bar, start with the left end up and slowly slide the other side up and into position. Using the T-40 torx bolts in the provided hardware, install the light bar loosely to the brackets.



Run the wires down the A-pillar alongside the factory wiring. Use the zip ties provided.

NOTICE:

Installers and users must comply with all applicable federal, state and local laws regarding use and installation of Lighting Products. Improper use or installation may void warranty coverage.

To review the Limited Lifetime Warranty contact your retailer or visit our website at www.mpowerlights.com

Questions or comments should be directed to your retailer.

RTL-ENFWB00001 (18-21)JEEP JL 1021



24
Attach the light bar wires to the cig plug harness, Black goes to brown and red goes to red. Take the small flat head screwdriver and tighten down the screw on the wires. Now reinstall the glove box.



25
Re-install the grab handles by lining up the single clip and snapping it back into place. Then tighten back down the two 10mm bolts to 25ft-lbs of torque and re-install the speaker cover



26
To fully install the brackets, you will need to first start with pushing the shroud up into position so the top gasket will start to compress, take the T-40 socket and tighten the bracket up. Once both sides are tightened up push the shroud toward the windshield and tighten up the top bolts.

NOTE: Do not exceed 25ft. lbs of Torque.

Installation is complete.

SWITCH HAS 3 POSITIONS
POSITION I = WHITE LIGHT
POSITION O = OFF
POSITION II = AMBER LIGHT



NOTICE:

Installers and users must comply with all applicable federal, state and local laws regarding use and installation of Lighting Products. Improper use or installation may void warranty coverage.

To review the Limited Lifetime Warranty contact your retailer or visit our website at www.mpowerlights.com

Questions or comments should be directed to your retailer.

RTL-ENFWB00001 (18-21)JEEP JL 1021

LIMITED LIFETIME WARRANTY FOR OFF-ROAD LIGHTING

Emergency Technology, Inc. d/b/a SoundOff Signal ("SoundOff") warrants to the original end user ("Buyer") that all lighting manufactured solely by SoundOff specifically for use off-road and separately identified by SoundOff for such use ("Products") will be free from defects in material or workmanship under normal and intended use subject to the limitations below. Any replacement of the Products under this Limited Lifetime Warranty for Off-Road Lighting ("Warranty") will be made solely by the retailer from whom Buyer purchased the Products and Buyer will have no rights to submit a claim directly to SoundOff. This Warranty sets forth Buyer's sole and exclusive remedies for any defect in the Products.

The Products shall not be defective to the extent that they are damaged due to improper installation, the method or length of storage, negligence, misuse, exposure to excessive hazards, damage beyond the limits of normal wear and tear, and any attempted repair or alternation including, without limitation any repair, service, or modification by anyone other than an authorized SoundOff retailer, any seal tampering, the removal of the bezel, removal of any bezel screws or any other actions which may have compromised the integrity of the water tight seal. This Warranty applies only to Products that have been installed according to the SoundOff's installation instructions, operated within the proper specifications, not subject to abuse or misuse or excessive voltages and not altered and as to which a serial tag, product sticker, seal or the like, that was applied by SoundOff, has not been removed or altered.

This Warranty shall all apply for a period of (i) three years for all mpower® or nForce® Products; (ii) two years for all covers, mounts, kits, and other items offered as part of a closeout or discontinued sale; (iii) one year for all powder coat finishes and cosmetic coatings, and (iv) ninety days for all vehicle harnesses.

If there is a defect in any Products constituting a breach of this Warranty, Buyer may obtain a replacement for such Product from the retailer from whom Buyer purchased the Product. Neither SoundOff nor the retailer will pay for any of Buyer's shipping or labor costs or charges for correcting defects, removing or re-installing the Products, or making additions. Buyer may be required to return of the defective Products and prove that the Products were not used, installed or altered or subject to misuse or abuse to establish the claim.

No Products shall be returned to the retailer without its prior consent. If Buyer desires to return any Products for a warranty claim, Buyer must contact the retailer where Buyer purchased the Products. SoundOff will not accept any Products directly from Buyer. The acceptance of any Products by a retailer shall not be deemed an admission that the Products are defective or in breach of this Warranty.

The rights and obligation under this Warranty may not be assigned, transferred or delegated to a third party by Buyer. Neither Buyer nor any other person may modify or expand this Warranty, waive any of the limitations, or make any different or additional warranties with respect to the Products. Any statements to the contrary are hereby rendered null and void unless expressly agreed to in writing by an authorized officer of SoundOff.

EXCEPT AS STATED IN ABOVE, SOUNDOFF DOES NOT MAKE ANY WARRANTY AS TO THE PRODUCTS AND, IN PARTICULAR, DOES NOT MAKE ANY WARRANTY OF MERCHANT-ABILITY OR FITNESS FOR ANY PARTICULAR PURPOSE, AND BUYER IS SOLELY RESPONSIBLE FOR DETERMINING THE PROPER APPLICATION AND USE OF THE PRODUCTS.

SOUNDOFF SHALL NOT HAVE ANY TORT LIABILITY TO BUYER OR ANY OTHER PERSON WITH RESPECT TO ANY OF THE PRODUCTS AND SHALL NOT BE LIABLE FOR CONSEQUENTIAL, INCIDENTAL, SPECIAL, EXEMPLARY, INDIRECT OR PUNITIVE DAMAGES ARISING FROM ANY PRODUCT DEFECT, DELAY, NONDELIVERY, RECALL OR OTHER BREACH.

NOTICE:



Installers and users must comply with all applicable federal, state and local laws regarding use and installation of Lighting Products. Improper use or installation may void warranty coverage.

To review the Limited Lifetime Warranty contact your retailer or visit our website at www.mpowerlights.com

Questions or comments should be directed to your retailer.

RTL-ENFWB00001 (18-21)JEEP JL 1021