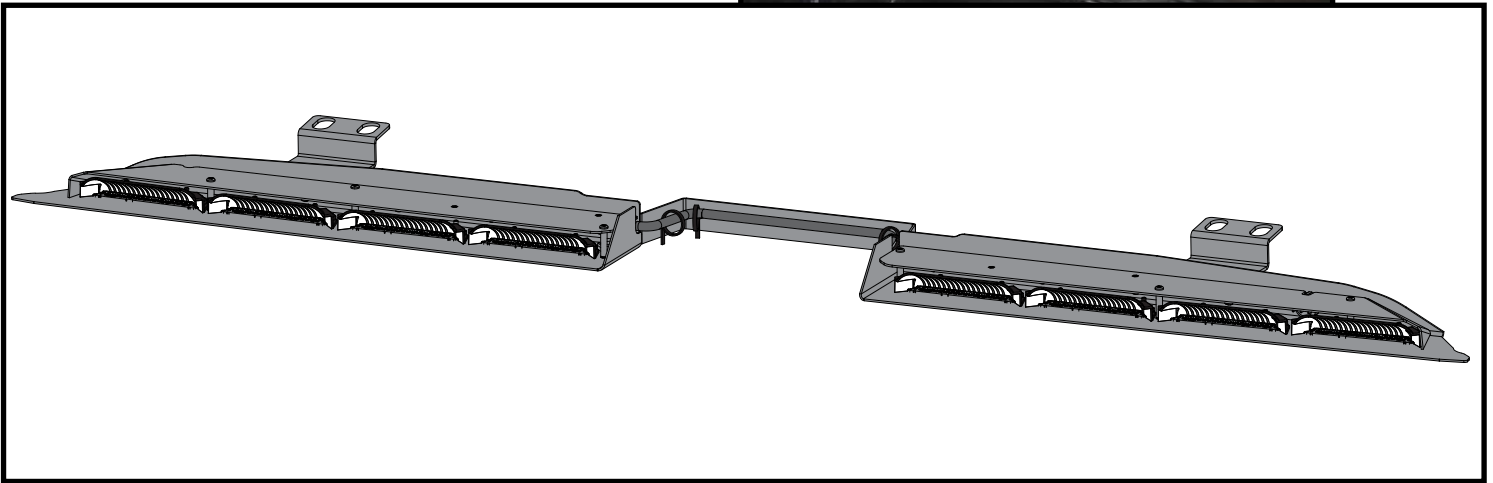


ORV INTERIOR LIGHT BAR

RTL-ENFWB00002 (2018-2021) JEEP WRANGLER JL SPLIT (WITH CRASH AVOIDANCE)



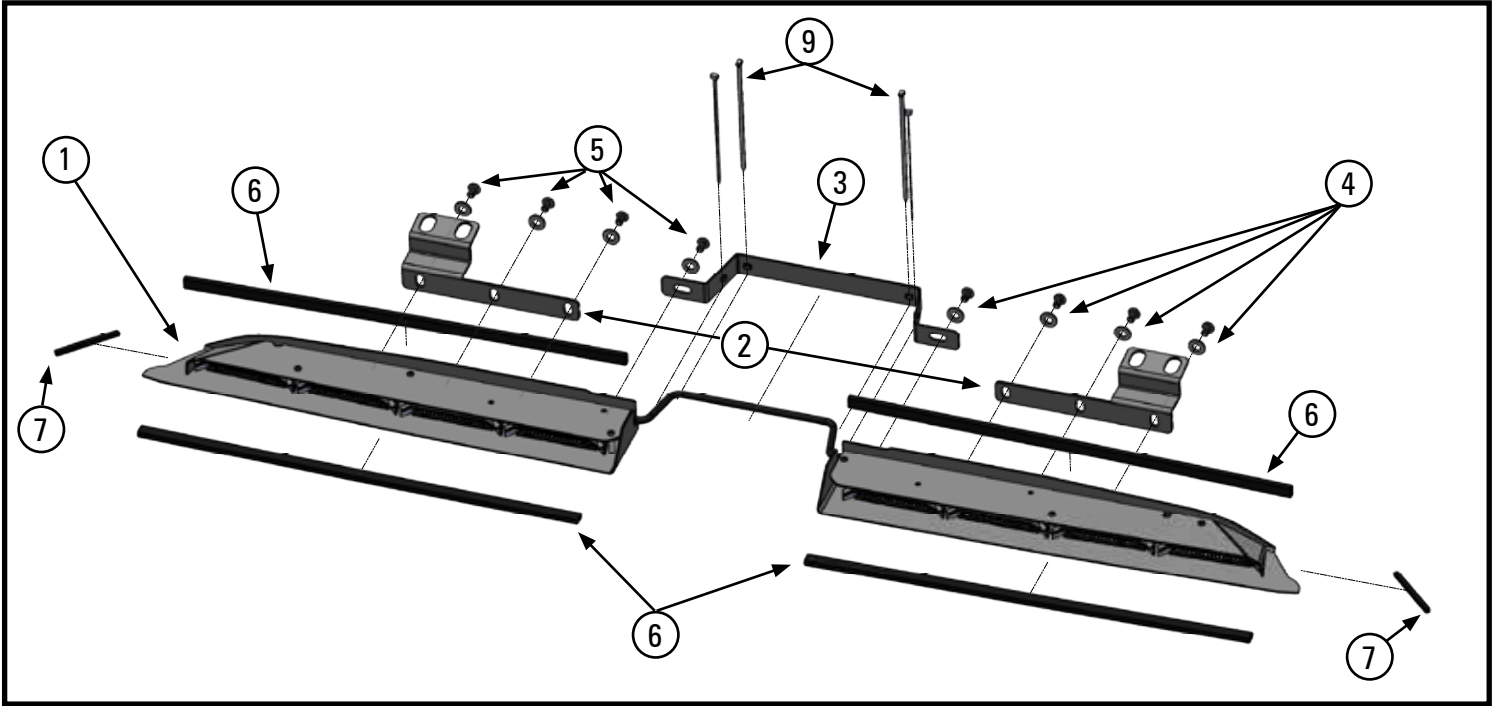
WARNING

- HIGH CURRENT interconnects must be properly terminated. Poor crimp quality can cause heat build-up and fire. Follow crimp connector manufacturer instructions.
- DO NOT install this product or route any wires in the Air Bag Deployment Zone. Refer to vehicle Owner's Manual for deployment zones.
- Do NOT use system to disconnect headlights, brake lights or other safety equipment.
- Unit may become hot to touch during normal operation.
- Failure to properly install connectors, fuses or wiring may cause vehicle failure or fire.
- Installer must determine vehicle wiring configuration and proper integration of system.
- Use proper wire gauge. All power wires connecting to positive (+) or negative (-) battery terminal or local chassis ground (-) must be sized to supply at least 125% of max. current and properly fused at power source.
- Install protective grommets when routing wire through firewall or metal.

NOTICE:

REQUIRED TOOLS:

- FORKED CLIP / TRIM REMOVAL TOOL
- #2 PHILLIPS HEAD SCREWDRIVER
- SMALL FLAT HEAD SCREWDRIVER
- RATCHET
- 10MM SOCKET AND EXTENSION
- T-40 SOCKET AND EXTENSION
- WIRE CUTTER / SHEARS (FOR CUTTING GASKETS)



CONTENTS		
#	QTY	COMPONENT
1	1	JEEP JL SPLIT LIGHT BAR
2	2	JEEP JL SPLIT MOUNTING BRACKETS
3	1	JEEP JL SPLIT BRIDGE BRACKET
4	8	5/16 FLAT WASHER
5	8	5/16 - 18 TORX SCREW 1/2" LONG
6	1	TRIM GASKET (THICK)
7	1	TRIM GASKET (THIN)
8	2	ADHESIVE FOAM SEAL
9	7	8" ZIP TIES
10	1	JUMPER POWER HARNESS
11	1	INSTALLATION INSTRUCTION SHEET
12	1	PRODUCT WARNING CARD

POWER SPECIFICATIONS				
Input Voltage Range:	10 - 16 Vdc			
Light Bar Component	Current Draw		Power Consumption	
	Ignition ON	Ignition OFF	Ignition ON	Ignition OFF
Standby Current	0.010 Amps	0.002Amps	0.13 Watts	0.03 Watts
	Running Current		102 Watts	
Wiring	Power Cable 6ft, 14 AWG Wires, (+) Red, (-) Black			

NOTE: MAKE SURE THE WINDSHIELD IS CLEAN IN FRONT OF THE LIGHT BAR BEFORE INSTALLING. AFTER THE INSTALL CLEANING WILL NOT BE POSSIBLE.

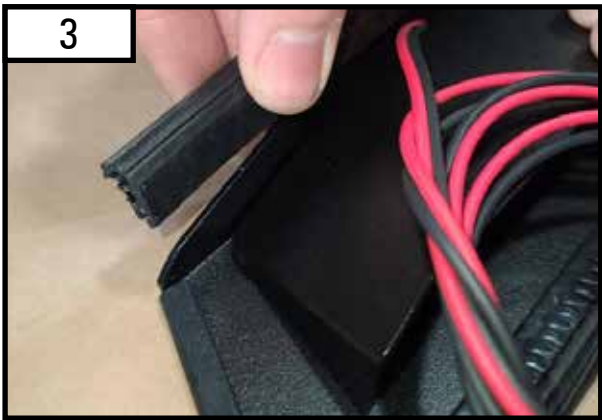
NOTICE:



1
Remove the light bar from the packaging and the thick gasket from the parts box included in the kit. Once removed, take the thick gasket and install on the front leading edge of the light bar, start on one end and work your way to the other end of the shroud.



2
After the gasket is full ran across the front leading edge of the light bar, take the wire cutter/shears and snip the thick gasket at the end of the light bar. Push the end of the gasket back on the bar.



3
Do the same for the top edge of the light bar. Use the rest of the thick gasket provided and start on one end of the shroud and work your way to the other. Take the wire cutter/shears and snip the excess gasket material.



4
Take the thinner gasket provided in the hardware kit and install on the outer end of the shroud, take the wire cutter/shears and snip the gasket off. Take the rest of the gasket you snip off and do that for the other side of the shroud.



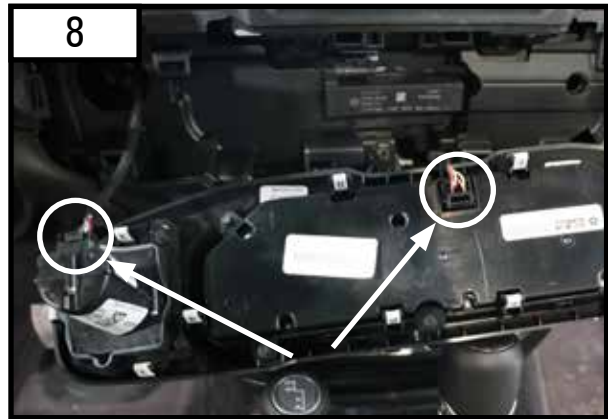
5
This is what the shrouds will look like once all the gaskets are fully installed

6
Now that the gaskets are installed move on to FIG 7.

NOTE: Install the foam gasket provided in kit for a tighter fit onto the windshield, see foam sheet for reference.



Using the plastic trim removal tool, pry off the center dash control system by starting on the outside and working your way around.



Disconnect the two connectors attached to the center dash control system and then set aside.



Remove the screw using a No. 2 Phillips head screw driver.



Pry out the window control panel using the plastic trim removal tool and start from the top and work your way down.



Tilt the window control panel out so you can access the 12v socket connection. Push the blue tab in and pull out the connector.



Connect the White connector to the original plug you just disconnected in STEP 11. Connect the grey connector back into the 12v socket

NOTICE:

Installers and users must comply with all applicable federal, state and local laws regarding use and installation of Lighting Products. Improper use or installation may void warranty coverage.

To review the Limited Lifetime Warranty contact your retailer or visit our website at www.mpowerlights.com

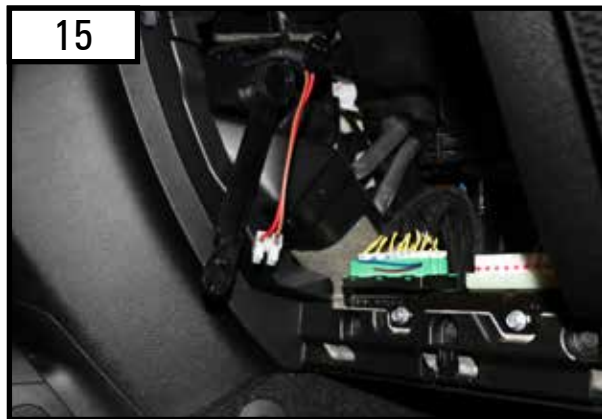
Questions or comments should be directed to your retailer. RTL-ENFWB00002 (18-21)JEEP JL SPLIT 1021



13 Open up the glove box and disconnect the strut by pulling up and out.



14 The glove box will need to be removed from the vehicle. Pull the back of the glove box towards you and then tilt the glove box down to remove.



15 After the glove box is removed, route the wires from the jumper harness to where you removed the glove box.

16

NOTE: Reassemble the window control panel.



17 Use the plastic removal trim tool to pop off the speaker cover on the passenger side and set aside.



18 Using the plastic trim removal tool pop off the two bolt covers for the A-pillar trim piece.

NOTICE:

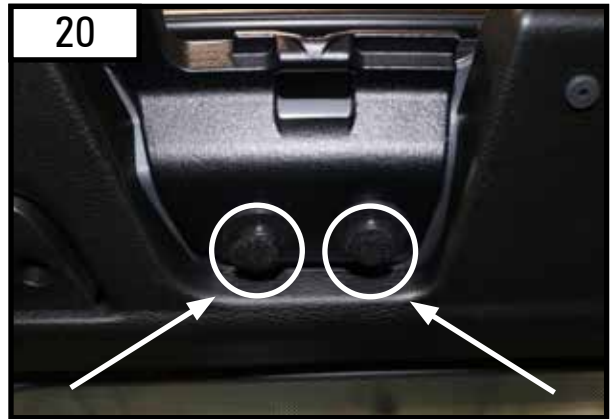
Installers and users must comply with all applicable federal, state and local laws regarding use and installation of Lighting Products. Improper use or installation may void warranty coverage.

To review the Limited Lifetime Warranty contact your retailer or visit our website at www.mpowerlights.com

Questions or comments should be directed to your retailer. RTL-ENFWB00002 (18-21)JEEP JL SPLIT 1021



Remove the two bolts with a 10mm socket, once bolts are removed pop off the trim panel.



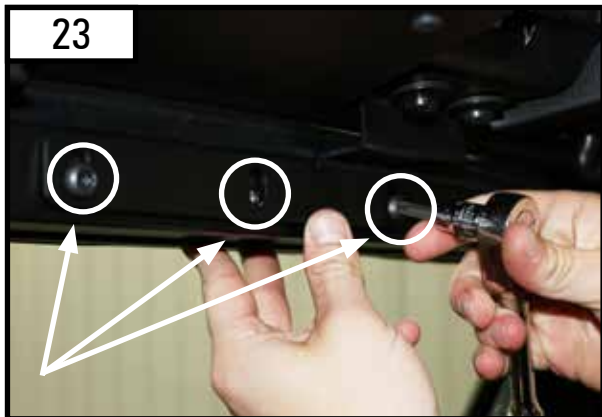
Unlatch and open the soft top or remove hard top front panels. Remove the felt padding on top of the bolts holding the brackets.



Remove the two bolts per side using a T-40 Torx socket, and pull the bolts out all the way.



(Passenger side shown) Take the bracket provided and install on top of the hard top bracket. When re-installing the two T-40 Torx bolts make sure to leave the bracket loose with adjustability forward and backwards. Repeat steps 20-22 for Driver side bracket installation.



Take the light bar provided and line up the three threaded holes on the shroud with the three slots on the bracket you just installed. Using the bolts provided in the hardware kit, start to thread them into the light bar.

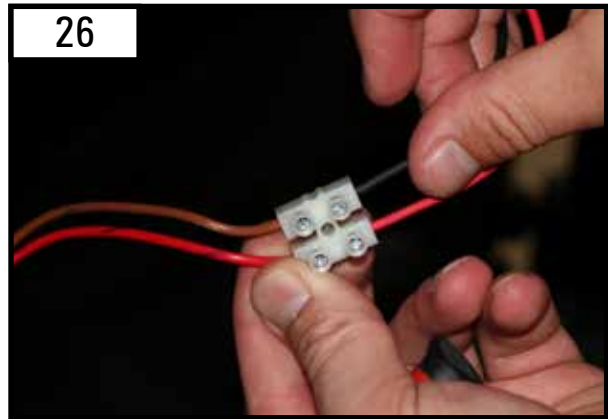


NOTE: Do not exceed 25ft. lbs of Torque.

Before the bolt are completely tightened down you will need to push up on the shroud to ensure a good seal along the windshield. *Repeat steps 23-24 for driver side installation.



Take the wire exiting the light bar and run it down the A-pillar of the vehicle, from the A-pillar through the front dash following the factory wire harness and out the glove box. Use the zip ties included in the hardware kit to zip tie down the wires to the factory harness.



Attach the light bar wires to the cig plug jumper harness. The black wire goes to the brown and the red wire goes to the red. Take the small flat head screwdriver and tighten down the bar. Now reinstall the glove box after connections are made.



Re-install the A-pillar plastic trim using the 10mm socket and the two bolts when it was removed in previous steps and the speaker cover.



Take the bridge bracket kit and put the zip ties in the bracket shown in image above. Make sure the head of the zip tie is facing down when installing the bracket.



Using the two bolts provided in the bridge bracket hardware kit, start to install the bracket. The Light bar has two threaded holes for the bolts to go into. Install the bridge bracket to the shrouds in the correct position.



Once the bridge bracket is installed, you can tighten the zip ties down around the wire connecting the light bars together. Once tight you may clip the zip ties.

NOTICE:

Installers and users must comply with all applicable federal, state and local laws regarding use and installation of Lighting Products. Improper use or installation may void warranty coverage.

To review the Limited Lifetime Warranty contact your retailer or visit our website at www.mpowerlights.com

Questions or comments should be directed to your retailer. RTL-ENFWB00002 (18-21)JEEP JL SPLIT 1021

Installation is complete.

SWITCH HAS 3 POSITIONS

POSITION I = WHITE LIGHT

POSITION 0 = OFF

POSITION II = AMBER LIGHT



LIMITED LIFETIME WARRANTY FOR OFF-ROAD LIGHTING

Emergency Technology, Inc. d/b/a SoundOff Signal ("SoundOff") warrants to the original end user ("Buyer") that all lighting manufactured solely by SoundOff specifically for use off-road and separately identified by SoundOff for such use ("Products") will be free from defects in material or workmanship under normal and intended use subject to the limitations below. Any replacement of the Products under this Limited Lifetime Warranty for Off-Road Lighting ("Warranty") will be made solely by the retailer from whom Buyer purchased the Products and Buyer will have no rights to submit a claim directly to SoundOff. This Warranty sets forth Buyer's sole and exclusive remedies for any defect in the Products.

The Products shall not be defective to the extent that they are damaged due to improper installation, the method or length of storage, negligence, misuse, exposure to excessive hazards, damage beyond the limits of normal wear and tear, and any attempted repair or alternation including, without limitation any repair, service, or modification by anyone other than an authorized SoundOff retailer, any seal tampering, the removal of the bezel, removal of any bezel screws or any other actions which may have compromised the integrity of the water tight seal. This Warranty applies only to Products that have been installed according to the SoundOff's installation instructions, operated within the proper specifications, not subject to abuse or misuse or excessive voltages and not altered and as to which a serial tag, product sticker, seal or the like, that was applied by SoundOff, has not been removed or altered.

This Warranty shall all apply for a period of (i) three years for all mpower® or nForce® Products; (ii) two years for all covers, mounts, kits, and other items offered as part of a closeout or discontinued sale; (iii) one year for all powder coat finishes and cosmetic coatings, and (iv) ninety days for all vehicle harnesses.

If there is a defect in any Products constituting a breach of this Warranty, Buyer may obtain a replacement for such Product from the retailer from whom Buyer purchased the Product. Neither SoundOff nor the retailer will pay for any of Buyer's shipping or labor costs or charges for correcting defects, removing or re-installing the Products, or making additions. Buyer may be required to return of the defective Products and prove that the Products were not used, installed or altered or subject to misuse or abuse to establish the claim.

No Products shall be returned to the retailer without its prior consent. If Buyer desires to return any Products for a warranty claim, Buyer must contact the retailer where Buyer purchased the Products. SoundOff will not accept any Products directly from Buyer. The acceptance of any Products by a retailer shall not be deemed an admission that the Products are defective or in breach of this Warranty.

The rights and obligation under this Warranty may not be assigned, transferred or delegated to a third party by Buyer. Neither Buyer nor any other person may modify or expand this Warranty, waive any of the limitations, or make any different or additional warranties with respect to the Products. Any statements to the contrary are hereby rendered null and void unless expressly agreed to in writing by an authorized officer of SoundOff.

EXCEPT AS STATED IN ABOVE, SOUNDOFF DOES NOT MAKE ANY WARRANTY AS TO THE PRODUCTS AND, IN PARTICULAR, DOES NOT MAKE ANY WARRANTY OF MERCHANT-ABILITY OR FITNESS FOR ANY PARTICULAR PURPOSE, AND BUYER IS SOLELY RESPONSIBLE FOR DETERMINING THE PROPER APPLICATION AND USE OF THE PRODUCTS.

SOUNDOFF SHALL NOT HAVE ANY TORT LIABILITY TO BUYER OR ANY OTHER PERSON WITH RESPECT TO ANY OF THE PRODUCTS AND SHALL NOT BE LIABLE FOR CONSEQUENTIAL, INCIDENTAL, SPECIAL, EXEMPLARY, INDIRECT OR PUNITIVE DAMAGES ARISING FROM ANY PRODUCT DEFECT, DELAY, NONDELIVERY, RECALL OR OTHER BREACH.

NOTICE:

Installers and users must comply with all applicable federal, state and local laws regarding use and installation of Lighting Products. Improper use or installation may void warranty coverage.

To review the Limited Lifetime Warranty contact your retailer or visit our website at www.mpowerlights.com

Questions or comments should be directed to your retailer. RTL-ENFWB00002 (18-21)JEEP JL SPLIT 1021