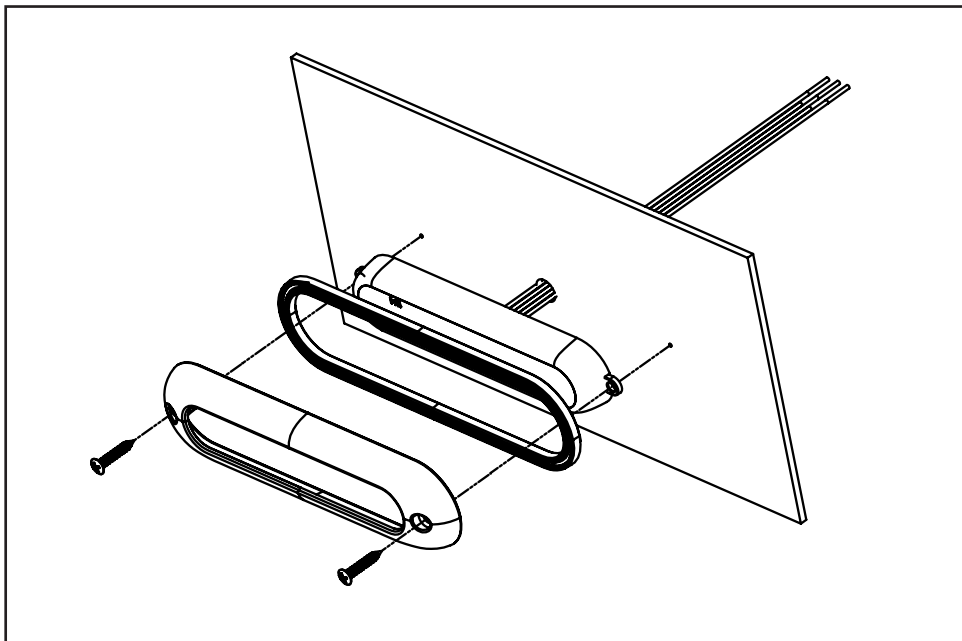




FASCIA LIGHTS - 4"

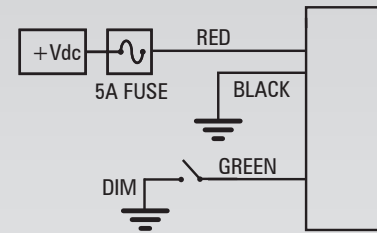
- RTL-EMPS20002-W: MPOWER 4"FASCIA FLOOD (WHITE)
- RTL-EMPS20001-W: MPOWER 4"FASCIA SPOT (WHITE)
- RTL-EMPS20001-A: MPOWER 4"FASCIA SPOT (AMBER)
- RTL-EMPS20001-G: MPOWER 4"FASCIA SPOT (GREEN)



⚠ WARNING

- HIGH CURRENT interconnects must be properly terminated. Poor crimp quality can cause heat build-up and fire. Follow crimp connector manufacturer instructions.
- DO NOT install this product or route any wires in the Air Bag Deployment Zone. Refer to vehicle Owner's Manual for deployment zones.
- Unit may become hot to touch during normal operation.
- Failure to properly install connectors, fuses or wiring may cause vehicle failure or fire.
- Installation must only be performed by trained technician. Installer must determine vehicle wiring configuration and proper integration of system.
- Use proper wire gauge. All power wires connecting to positive (+) or negative (-) battery terminal or local chassis ground (-) must be sized to supply at least 125% of max. current and properly fused at power source.
- Install protective grommets when routing wire through firewall or metal.

HOOK-UP & TECHNICAL SPECIFICATIONS



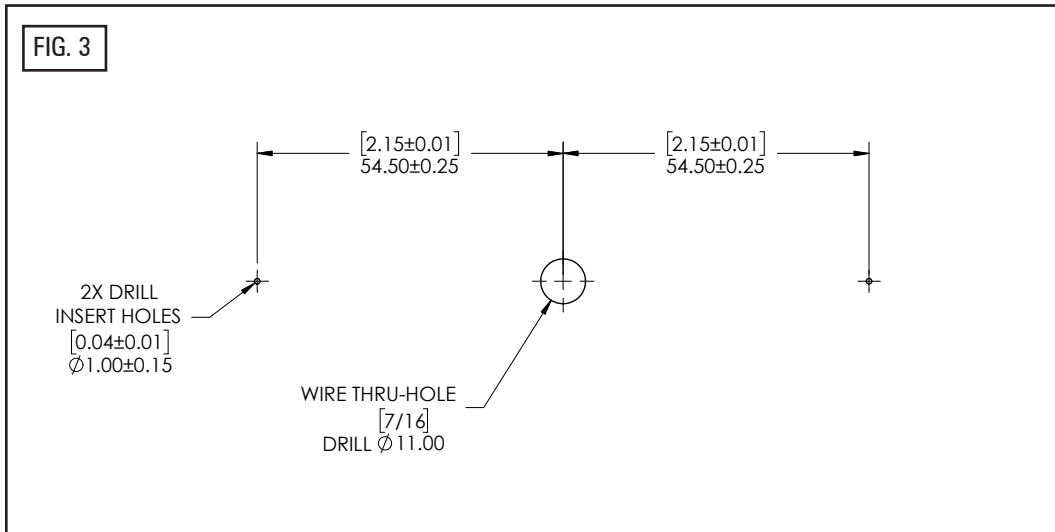
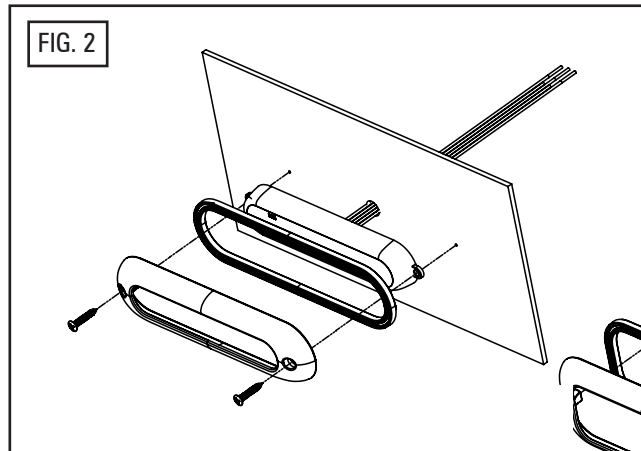
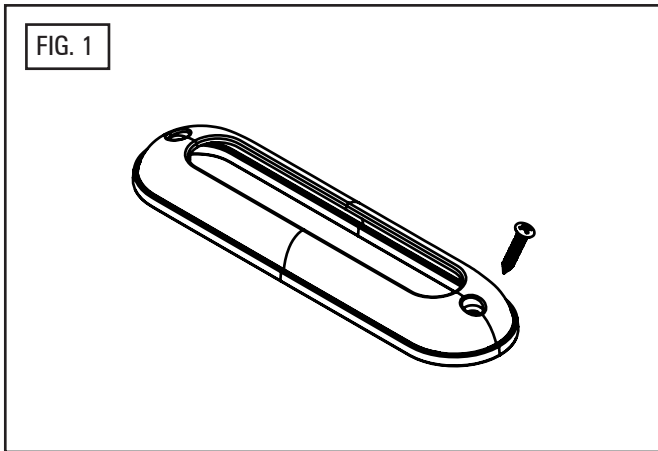
WIRE HOOK-UP TABLE	
WIRE COLOR	FUNCTION:
RED	Power (Primary)
BLACK	Ground
GREEN	DIM

TECHNICAL SPECIFICATIONS			
Dimensions (From Mounting Surface) 4" Screw Mount:		4.52"L x 0.92"H x 0.42"D	
Input Voltage:		9-32Vdc	
4" CURRENT CONSUMPTION (Amps)			
12.8Vdc		25.6Vdc	
	Peak	Average	
White, Amber, Green	0.90	0.60	0.30

⚠ WARNING

This product contains high intensity LED devices. To prevent eye damage, DO NOT stare into the light beam at close range.

Protected by U.S. Patent 10,703,260 and Patents Pending
<https://soundoffsignal.com/legal/patent-notification/>



INSTALLATION:

1. Pre-Drill per screw mount pattern indicated in FIG. 3.
2. Deburr and clean the surface, as required.
3. Make wire connections and feed the wire through the drilled wire hole.
4. Install light with 2x Torx drive screws and hand tighten only until mount surface and light are flush as seen in FIG. 2.



**DO NOT USE POWER
TOOLS TO TIGHTEN**

OVER-VOLTAGE PROTECTION

When an over-voltage condition is detected, the module will flash an over-voltage warning pattern of 50ms ON/950ms OFF to alert of the over-voltage condition and protect the electronics from damage due to heat/voltage.

THERMAL COMPENSATION PROTECTION

The LED module is designed to provide maximum power output while providing protection to the electronic components by reducing the output power during normal operation.